



ACCESS PLATFORMS



TRAFFIC MANAGEMENT



ROADWAY PANELS



CONTRACT LIFTING



TRUCK & TRACKED ACCESS PLATFORMS

FOR NATIONWIDE HIRE



www.clearviewaccess.net



Contents



ACCESS PLATFORMS

Truck Mounts

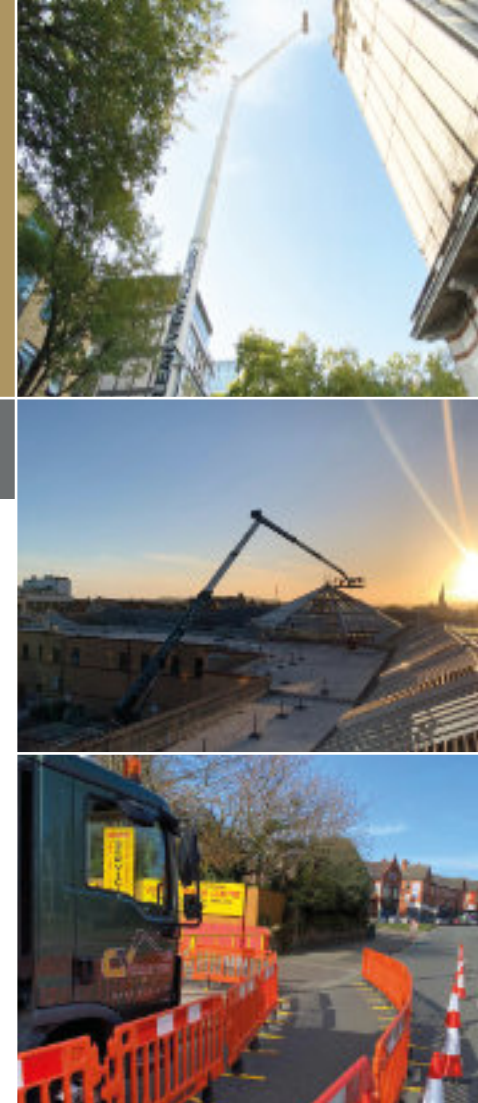
- P5 CTE® 21.3J
- P6 Steiger® TBR 220
- P7 Multitel® MZ250
- P8 Steiger® TBR 260
- P9 Steiger® TU 285
- P10 Palfinger P 320
- P11 Steiger® T 330
- P12 Palfinger 370 KS 4x4 Drive
- P13 Steiger® T510 HF
- P14 Steiger® T 720
- P15 Steiger® T 750 HF
- P16 Steiger® T900 HF

Spider Lifts

- P17 Hinowa 15.70
- P18 Spider 20.95
- P19 Spider 22.10
- P20 Hinowa 26.14
- P21 SPIDER 27.14
- P22 LEO 30T Plus
- P23 Spider 33.15
- P24 Spider 43 T

Accessories

- P25 Lift-Up-System
- P25 Air and Water Connectors
- P25 LED Lighting
- P25 Mechanical Winch
- P25 Camera Bracket



ACCESS PLATFORMS



TRAFFIC MANAGEMENT



ROADWAY PANELS



Clear View Access is an independent, family run business built on traditional working values. Over the past 10 years we've grown through rapid expansion and investment to offer a national service across the fleet. With a diverse fleet of Truck and Tracked access platforms, we are confident we will meet any site requirement.



TRAFFIC MANAGEMENT

- P27 Road Closure
- P27 Traffic Lights & Priority Systems
- P27 Pedestrian Management
- P28 Traffic Management Plan/Council
- P28 Street Works Notice Management Solutions



ROADWAY PANELS

- P29 Megamat Heavy Duty Panels



CONTRACT LIFTING

- P33 Contract Lifting Solutions

Clear View Access hold customer satisfaction and safety at height paramount to all that we do and we believe this is reflected in the service you will receive from enquiry to on site delivery. The team have over 70 years of combined experience & knowledge in the field and will ensure your site is quoted to the right specification and the correct machine for the application of work is provided.

Our standards at Clear View Access are second to none. We aim to deliver a timely turn around and are confident our services will leave a lasting impression on you.

Why Clear View Access?



Access Platforms
Truck mounts, spider lifts and self drive options for hire



Competitive
Competitively priced national rates



Free Site Surveys
A quick and easy facility to arrange a consultation



24/7 Hire
Out of hours and weekend hire solutions

“ Clear View's dynamic fleet is available for operated hire nationwide, 24/7, 365 days a year. ”


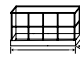


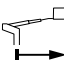





CTE® 21.3J

Ease of use and versatile, CTE ZED 21.3 J is the ideal partner to achieve maximum performance in different types of applications: building, green maintenance, renovations and cleaning of buildings. The boom design and the use of Strenx SSAB steel guarantee stability and rigidity in working phase, allowing the user to work in perfect safety and ergonomics.

- Double pantograph +telescopic boom with single extension +jib
- Sigma boom movement enabled by connecting rods
- ±320° turret rotation
- Smooth proportional simultaneous controls with acceleration and deceleration ramps
- Engine start and stop controls from basket and ground
- Automatic engine rpm management on CTE ZED 21.3 JHV model
- Anti-slip aluminium deck
- Basket in aluminium 1400x700x1100 mm
- 90° +90° hydraulic basket rotation
- Automatic hydraulically actioned basket levelling
- CAN BUS electronic management system
- 4 hydraulic outriggers with ground pressure sensors

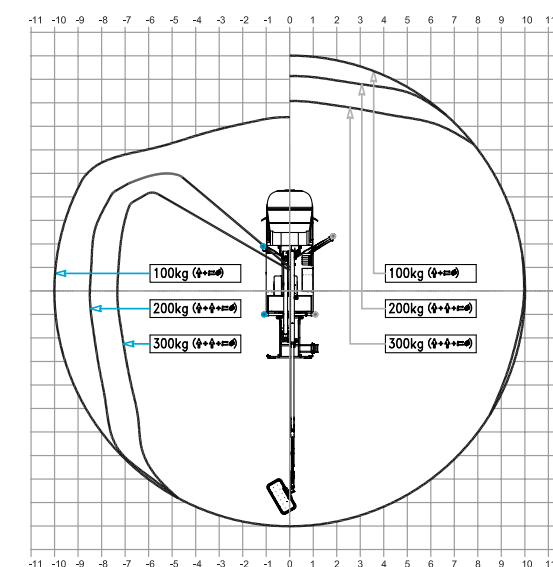


CTE® 21.3J			
	21.00m		1.4 x 0.7
	19.00m		≥ 2.755m
	10.00m		7.475m
	300kg		≥ 3,500kg

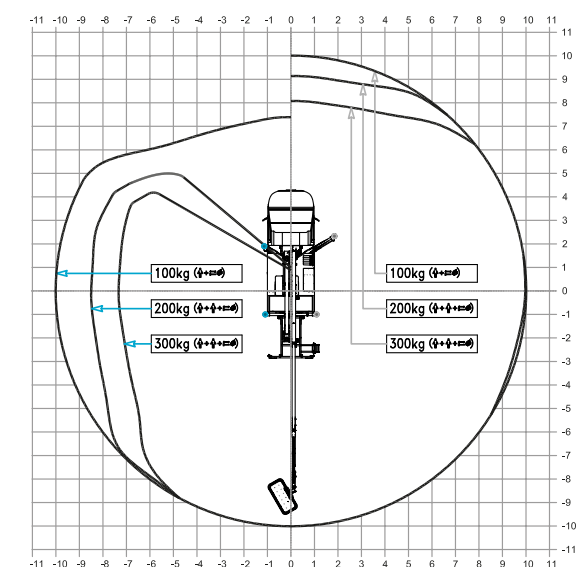


ACCESS PLATFORMS

Clearview's Purchasing, & HSQE Policy means only Manufacturer approved machines are incorporated into the Clear View Fleet. These machines meet European emission standards and offer leading operational performance. With the fleet ranging from 21m to 90m we are confident that we will have a platform for your working at height application.



Outrigger Footprint



Working Envelope

STEIGER® TBR 220

The STEIGER® TBR 220. Small chassis, incredible performance.

- 22.00 m working height
- 16.40 m lateral reach
- 185° jib (RÜSSEL®) swivelling range
- 230 kg work cage load capacity
- Diverse base vehicles ≥ 3.5 t (GVW)*
- Interchangeable cage system
- Total vehicle length: ≥ 6.92 m
- Total vehicle height: ≥ 2.99 m
- 2 x 85° cage rotation device
- Positioning at inclinations of up to 5°
- EURO 6 compatible (because of lightweight design)
- Telescoping boom system made of high strength, fine-grained steel with proven multi-bevelled technology
- Innovative "space frame design" tower
- Low height of work cage console for increased safety and efficiency when approaching objects

* gross vehicle weight

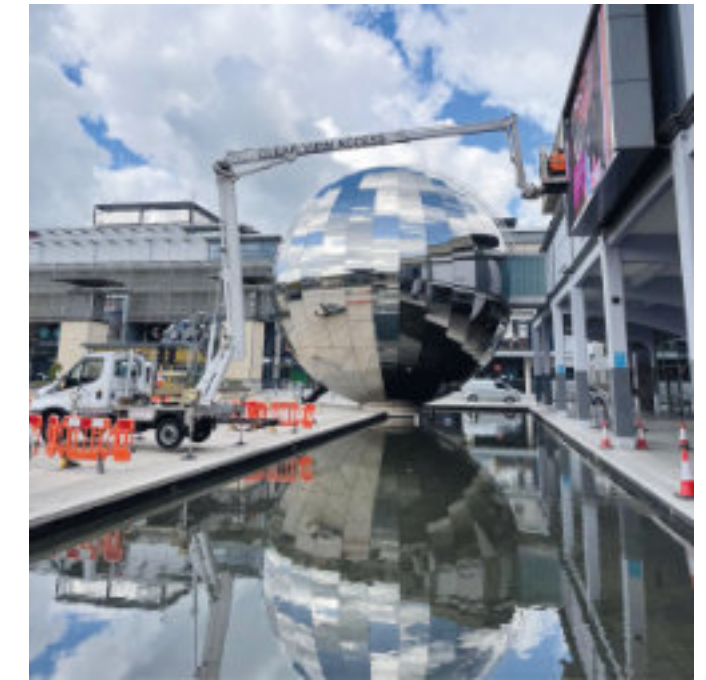


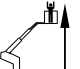



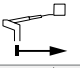
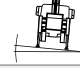




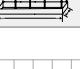

MULTITEL® MZ250





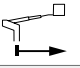




The MZ250 employs a dual aluminium telescopic boom lift mechanism, it is entirely new, with a two section lower boom, a two section upper boom and a fixed length articulating jib. It is therefore a good deal simpler, and possibly lighter than the current MX which uses two three section booms.

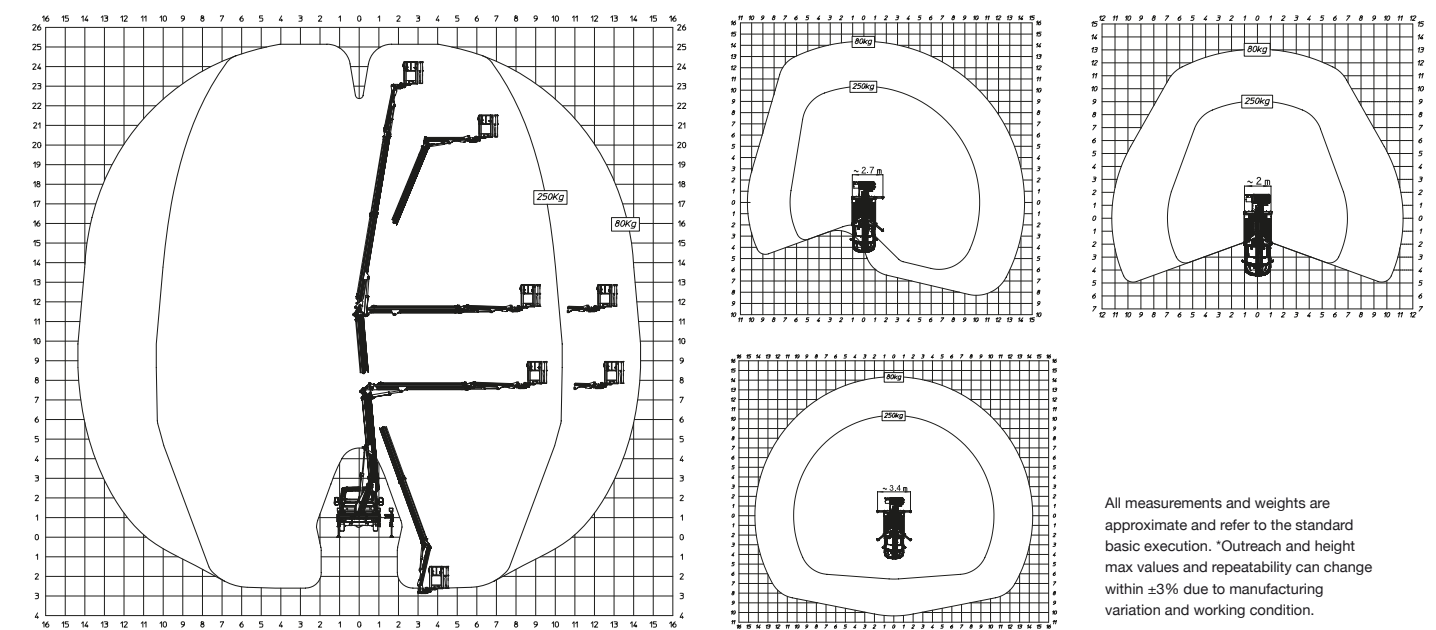
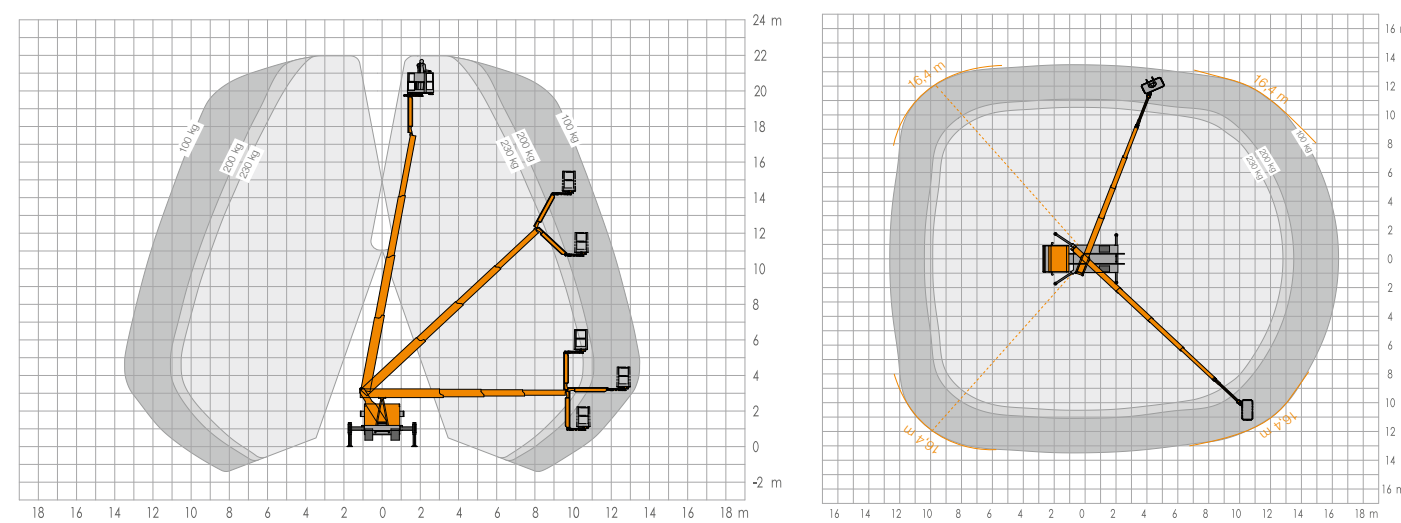
The MZ 250 will be mounted on a 3.5 tonne Iveco Daily chassis with a three metre wheelbase. It is going to offer an outreach in the region of 12 to 13 metres, as well as 2.5 metres of below ground reach.

It will also be equipped with the MUSA - Multitel Self Adapting - outreach system which automatically adjusts the working envelope depending on the actual outrigger positions, the slew point of the superstructure and the load in the platform.



RUTHMANNSTEIGER® TBR 220			
	22.00m		≥ 2.99 m
	20.00m		6.92m
	16.40m		5°
	450°		$\geq 3,500$ kg
	230kg		185°
	1.40 x 0.70		B/3

MULTITEL® MZ250			
	25.10m		1,40x0,70x1,10 m
	23.10m		≥ 2.895 m
	10.35m (250kg) 14.35m (80kg)		6.290m
	400°		$\geq 3,500$ kg
	250kg		



All measurements and weights are approximate and refer to the standard basic execution. Technical alterations reserved. STEIGER®, GELENKSTEIGER®, RÜSSEL® and CARGOLOADER® are registered trademarks of RUTHMANN GmbH & Co. KG

All measurements and weights are approximate and refer to the standard basic execution. *Outreach and height max values and repeatability can change within $\pm 3\%$ due to manufacturing variation and working condition.

STEIGER® TBR 260

- 26 m max. working height with full basket load
- Outreach max. 17 m
- Lateral outreach max. 14.2 m 250 kg basket load
- 24 movements simultaneously possible (lift, rotate, telescope, Rüssel up / down) + basket rotation
- Mobile jib boom (RÜSSEL®), rotation 185°
- Improved work speed
- Premium technology in highest stability with easy handling
- High-strength fine-grained steel for maximum stability
- Improved basket unit with new design
- Common parts to other STEIGER® models for even more operating and maintenance efficiency
- Reduced stock of spare-parts through modular design
- New more torsion-resistant substructure construction
- Boom system with laser-welded seam (less distortion, more precise and more stable)



STEIGER® TU 285

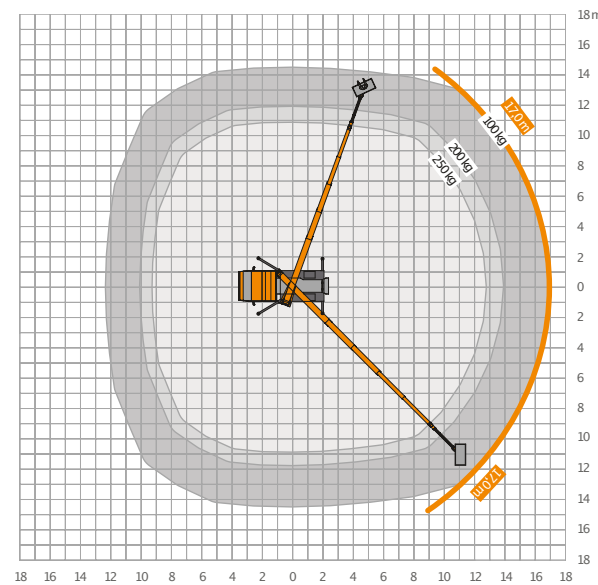
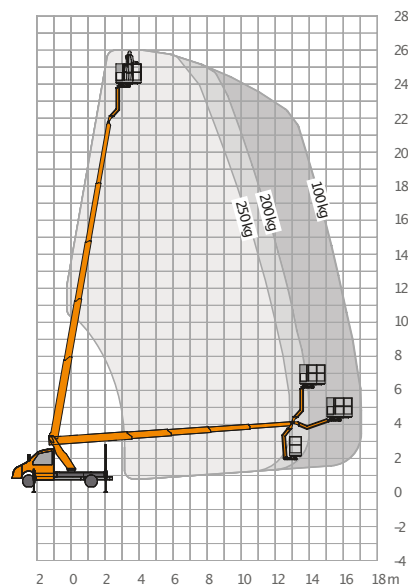
The STEIGER® TU 285. The compact city platform!

- 28.5 m working height
- 20.5 m lateral reach
- 180° upper boom swivelling range
- 320 kg work cage capacity
- Overall length of just 6.96 m
- 2 x 90° cage rotation
- Permissible inclination: 5°
- Tower and boom system made of high-strength, fine-grained steel using proven multi-bevelled technology
- Truck can be positioned closer to objects than ever before because of the new rear-mounted tower
- Innovation: with the fully redesigned upper boom, objects can be approached with utmost sensitivity and precision. Work can also be carried out behind objects without any degree of difficulty

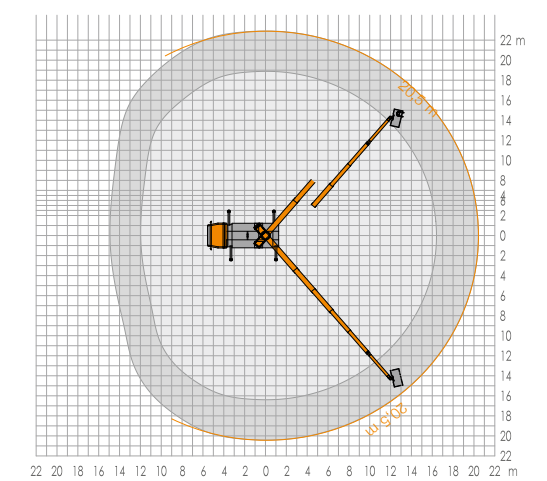
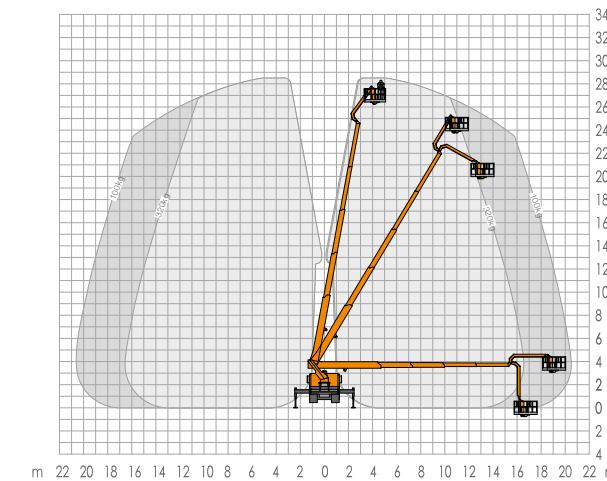


RUTHMANN STEIGER® TBR 260			
	26.00m		1.40 x 0.70
	24.00m		≥ 3.00m
	17m		7.9m
	2x225°		5°
	185°		≥ 3.500kg
	250kg		

RUTHMANNSTEIGER® TU 285			
	28.50m		≥ 3.69m
	26.50m		6.96m
	20.50m		5°
	540°		≥ 7,490kg
	180°		
	320kg		
	1.70 x 0.86 m		



All measurements and weights are approximate and refer to the standard basic execution. Technical alterations reserved. STEIGER®, GELENKSTEIGER®, RUSSEL® and CARGOLOADER® are registered trademarks of RUTHMANN GmbH & Co. KG



All measurements and weights are approximate and refer to the standard basic execution. Technical alterations reserved. STEIGER®, GELENKSTEIGER®, RUSSEL® and CARGOLOADER® are registered trademarks of RUTHMANN GmbH & Co. KG

Palfinger P 320

The lightweight with the manoeuvrability and performance of a heavy load platform.

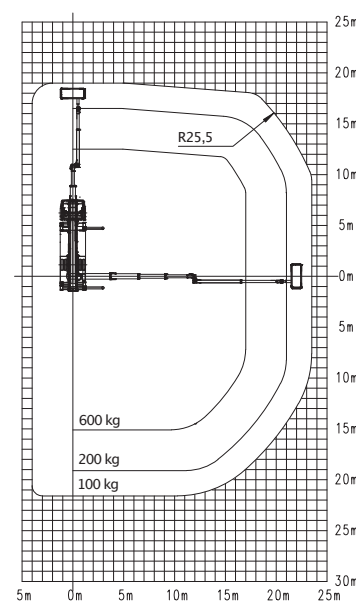
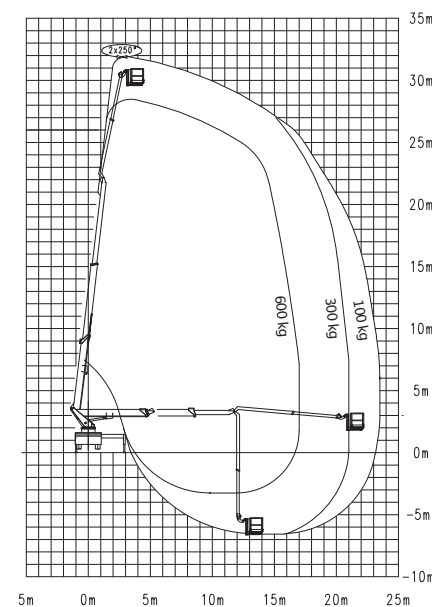
The P 320 - with a working height of 32 metres - combines all the advantages of the Jumbo class. As a unique niche product developed and designed for mounting on vehicles with a gross vehicle weight of only 12 tonnes, it opens up new areas of use particularly in the inner-city segment.

Dual telescopic extension boom and telescopic basket arm in conjunction with a maximum basket load of 600 kg set new standards in this league in respect of manoeuvrability, functionality and basket load.

Unbeatable in performance and dead weight, the P 320 is the most attractive choice for many areas of use.



Palfinger P 320			
	32.00m		3.88 x 1.05
	30.00m		≥ 3.53m
	25.50m		8.400m
	600kg		≥ 12.000kg
	2.55m		8°



All measurements and weights are approximate and refer to the standard basic execution. *Outreach and height max values and repeatability can change within ±3% due to manufacturing variation and working condition.

STEIGER® T 330

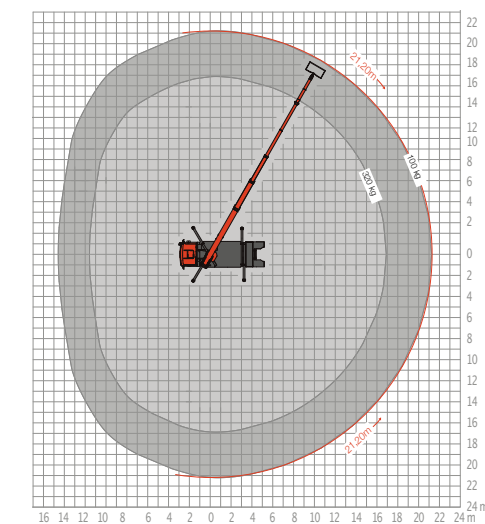
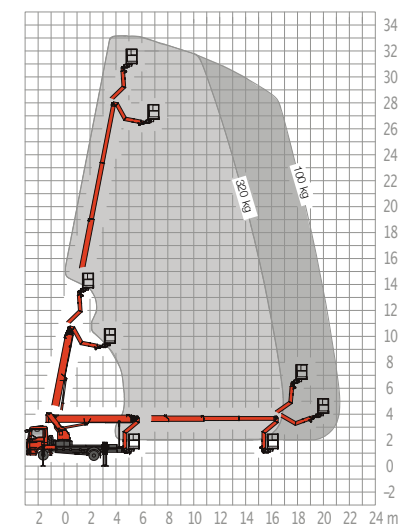
The STEIGER® T 330. The plus factors platform.

- 33 m working height
- 21.2 m lateral outreach at 100 kg cage load
- Max. performance on 7.49 t to 18 t chassis (GVW)
- Multi bent profil steel boom technology with rigid turret that remains within the contours of the vehicle when pivoting
- Sturdy, hydraulic cage rotation device 2 x 90°
- Horizontal/vertical jacking mechanism for maximum versatility
- 185° jib (RÜSSEL®) swivelling range
- Compact vehicle length of only 8.79 metres
- 320 kg working cage capacity
- Information and diagnostic display also in working cage
- Automatic set-up/retraction mechanism, memory-positioning system
- and many other innovative features



* depending on load, angle of rotation and outfit
** with restriction of performance data

RUTHMANNSTEIGER® T 330			
	33.00m		≥ 3.56m
	31.00m		8.79m
	21.20m*		5°**
	500°		≥ 7,490kg
	320kg		185°
	1.70 x 0.86 m		C1/3

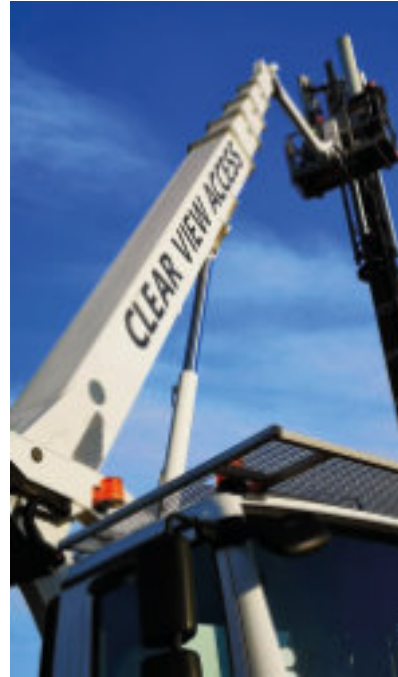


All measurements and weights are approximate and refer to the standard basic execution. Technical alterations reserved. STEIGER®, GELENKSTEIGER®, RUSSEL® and CARGOLOADER® are registered trademarks of RUTHMANN GmbH & Co. KG

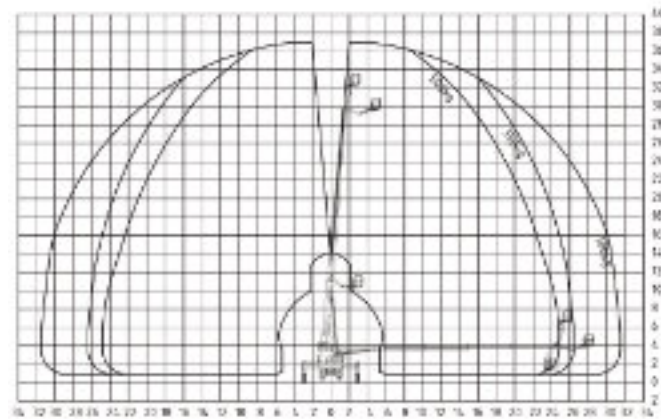
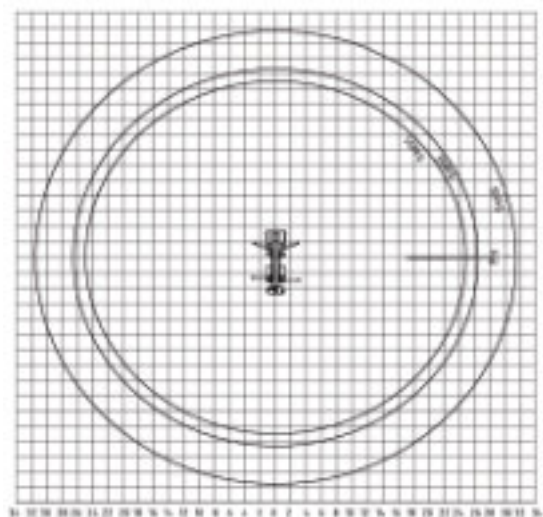
PALFINGER 370 KS 4x4 Drive

The P 370 KS is agile, versatile, compact and extremely powerful. This platform combines the best of two worlds. It integrates the impressive flexibility of the WT series and the compact design and well-known counter slewing system of the KS series.

- Robust, 2m wider aluminium workman basket with 500kg load capacity and integrated Powerlift support
- Flat sub-construction under the cage enabling best possible target reach
- Fully variable jacking for exact stabiliser positioning
- Operator information and guidance systems via display in the truck cabin and the Premium control panel
- 1000mm stroke to compensate rough terrain
- Automatic set-up with adaptive levelling
- Counter slew-system permits extremely compact dimensions
- Rotation within mirror-width of the vehicle
- Time-saving outrigger control via automatic set-up from the ground
- Foldable rear crash protection increases slope angle
- Range optimisation through continuous processing of outrigger position, inclination and basket load
- Maximum speed, start and stop ramps individually adjustable
- Easy-to-use electronic emergency operation of all platform functions via display
- Diagnostic tools such as PALDIAG.CMI, Palfinger APP and QR-Code
- Available for two axle chassis with GVW from 15,5t upwards



PALFINGER 370 KS 4x4 Drive			
	37.00m		500kg
	35.00m		≥ 3.85m
	31.5m		8.35m
	500°		2°
	185°		≥ 18,000kg
	2.00 x 0.8		4x4 Drive



All measurements and weights are approximate and refer to the standard basic execution. *Outreach and height max values and repeatability can change within ±3% due to manufacturing variation and working condition.

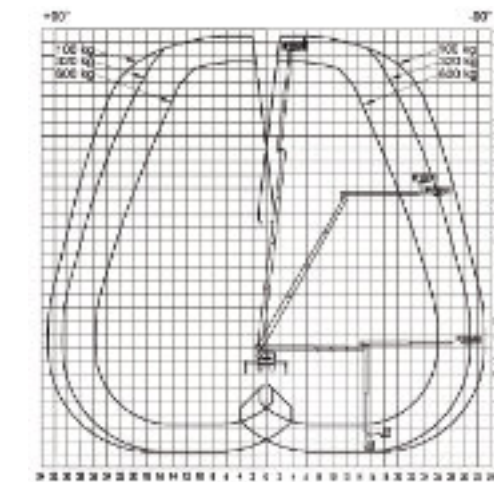
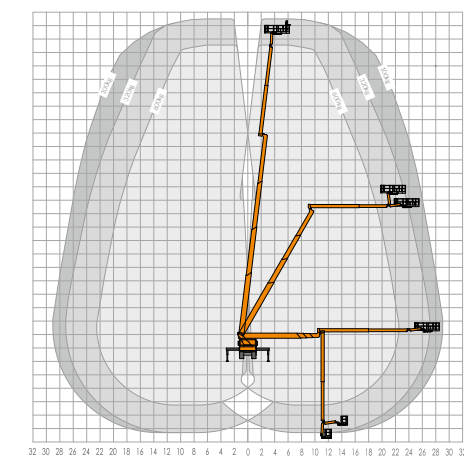
STEIGER® T 510 HF

The picture shows RUTHMANN's highflex STEIGER T 510 HF - a further development of RUTHMANN's highly successful HEIGHT performance-STEIGER®. The revolutionary, world champion performance specifications are what make this STEIGER® model so special - 51m working height combined with 33m outreach, which - coupled with a 2-axle chassis - can be found nowhere else on the working platform market. Such performance data were previously possible only on a 3-axle chassis.

- 51 m Working Height
- 33 m Outreach
- 10.40m total vehicle length (depends on vehicle type)
- Top performance data due to multi-bevelled boom technology
- 'Standing' working basket perfect for 'under and up' as well as all possibilities of 'up and over and back' during lowered RUSSEL®
- Generous 600kg working cage load capacity
- Working below ground possible
- More possibilities with the special features HEIGHT performance
- Automatic set-up/retraction mechanism at the push of a button
- Aluminium working cage can be extended hydraulically
- Maintenance-friendly boom system



RUTHMANNSTEIGER® T 510 HF			
	51.00m		2.42 x 0.97
	49.00m		3.82 x 0.97
	33.00m		≥ 3.75m
	500°		10.40m
	220°		2°
	180°		≥ 18,000kg
	600kg		



All measurements and weights are approximate and refer to the standard basic execution. Technical alterations reserved. STEIGER®, GELENKSTEIGER®, RUSSEL® and CARGOLOADER® are registered trademarks of RUTHMANN GmbH & Co. KG

STEIGER® T720

- 72 m working height
- 38 m lateral reach
- 13.76 m total vehicle length
- Top performance data due to multi-bevelled boom technology
- Work "behind" objects using movable jib (RÜSSEL®)
- Generous 600 kg working cage load capacity
- Working below ground possible
- Enter and load working cage at ground level with "Lift-Up-System"
- Automatic set-up/retraction mechanism at the push of a button
- Aluminium working cage can be extended hydraulically
- Maintenance-friendly boom system



STEIGER® T 750 HF

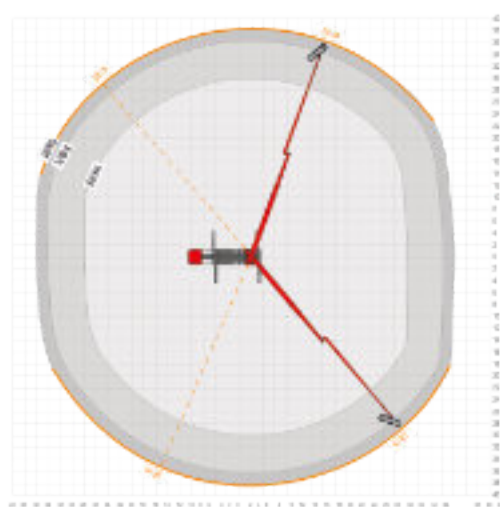
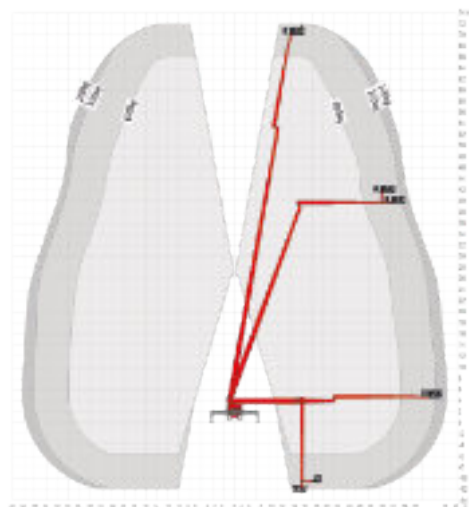
The STEIGER® T 750 HF.

- 75 m working height
- 41 m outreach
- 13.99 m total vehicle length (depends on vehicle type)
- Top performance data due to multi-bevelled boom technology
- 'Standing' working basket perfect for 'under and up' as well as all possibilities of 'up and over and back' during lowered RÜSSEL®
- Generous 600 kg working cage load capacity
- Working below ground possible
- More possibilities with the special features HEIGHT performance
- Automatic set-up/ retraction mechanism at the push of a button
- Aluminium working cage can be extended hydraulically
- Maintenance-friendly boom system

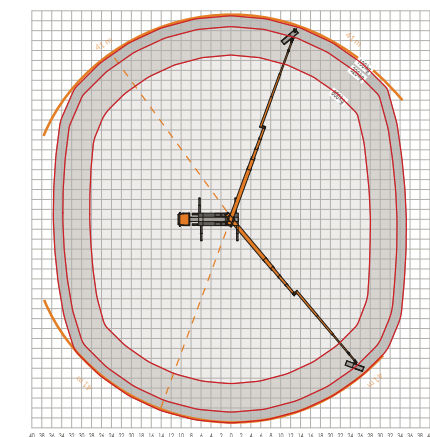
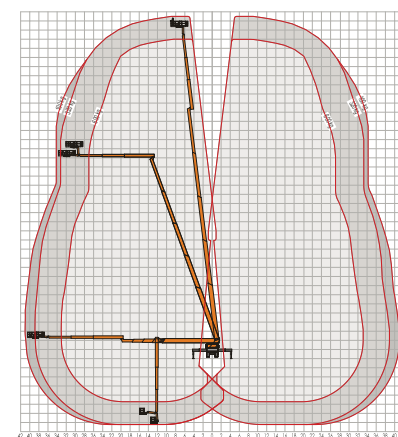


RUTHMANN STEIGER® T720			
	72.00m		2.42 x 0.97
	70.00m		≥ 3.99m
	38.00m		13.76m
	500°		2°
	180°		≥ 32.000kg
	600kg		180°

RUTHMANNSTEIGER® T 750 HF			
	75.00m		2.42 x 0.97
	73.00m		3.82 x 0.97
	41.00m		≥ 3.99m
	500°		13.99m
	220°		2°
	180°		≥ 32,000kg
	600kg		



All measurements and weights are approximate and refer to the standard basic execution. Technical alterations reserved. STEIGER®, GELENKSTEIGER®, RUSSEL® and CARGOLOADER® are registered trademarks of RUTHMANN GmbH & Co. KG



All measurements and weights are approximate and refer to the standard basic execution. Technical alterations reserved. STEIGER®, GELENKSTEIGER®, RUSSEL® and CARGOLOADER® are registered trademarks of RUTHMANN GmbH & Co. KG

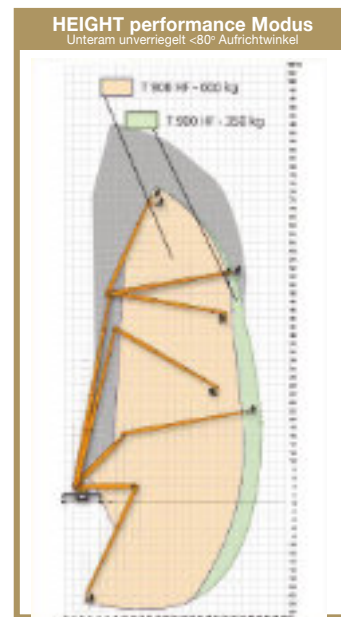
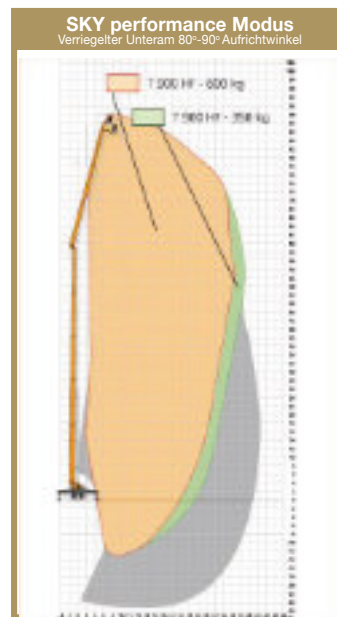
STEIGER® T 900 HF

The STEIGER® T 900 HF.

- 90 m working height
- 41 m outreach
- 14.99 m total vehicle length (depends on vehicle type)
- Top performance data due to multi-bevelled boom technology
- 'Standing' working basket perfect for 'under and up' as well as all possibilities of 'up and over and back' during lowered RUSSEL®
- Generous 600 kg working cage load capacity
- Working below ground possible
- More possibilities with the special features HEIGHT performance
- Automatic set-up/ retraction mechanism at the push of a button
- Aluminium working cage can be extended hydraulically
- Maintenance-friendly boom system



RUTHMANN STEIGER® T 900 HF	
	90.00m
	88.00m
	42.00m
	540°
	220°
	180°
	600kg
	2.42 x 0.97
	3.82 x 0.97
	≥ 4.00m
	14.99m
	1°
	≥ 48,000kg

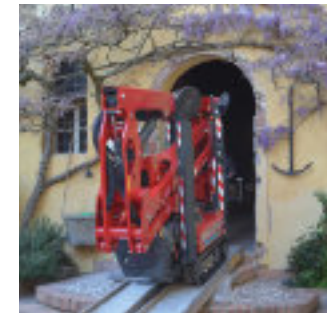


All measurements and weights are approximate and refer to the standard basic execution. Technical alterations reserved. STEIGER®, GELENKSTEIGER®, RUSSEL® and CARGOLOADER® are registered trademarks of RUTHMANN GmbH & Co. KG

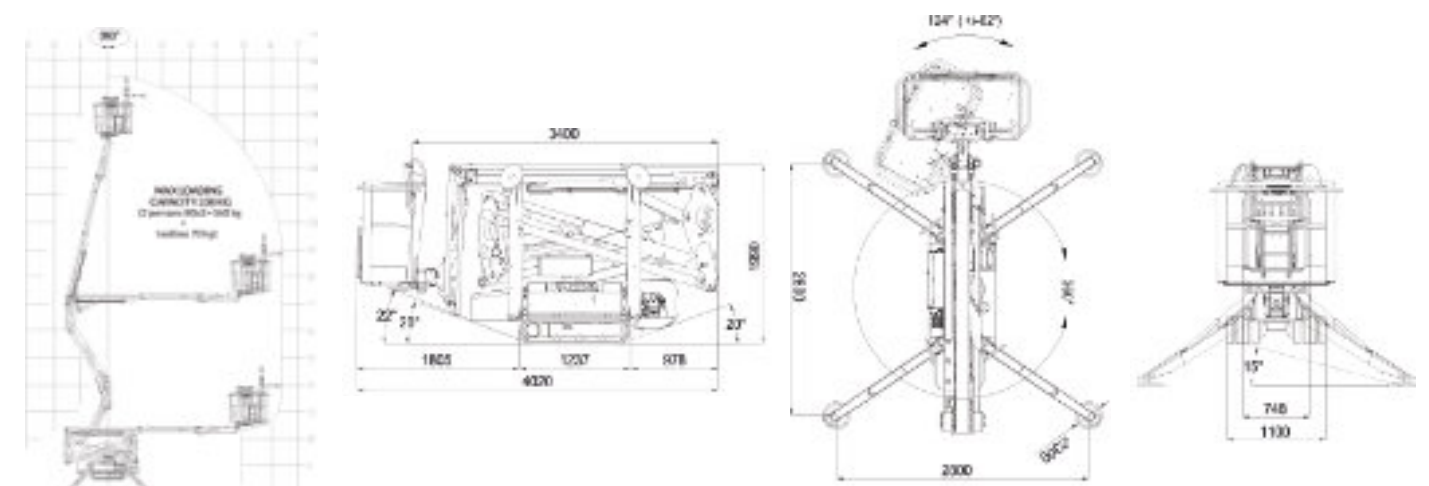
Hinowa 15.70

The main features of this new and extremely compact machine with extraordinary performances are:

- Compact, ultra high-performance aerial lifting platform
- Max. working height 15.40m
- Horizontal outreach 6.60m with 10m continuous outreach with flush with the wall trajectory
- 230kg capacity for the whole working area
- Basket with rotation standard
- Compact stabilisation area 2800 x 2800 mm
- Weight: 1950kg (petrol version).



Hinowa 15.70			
	15.40m		1.9m
	13.40m		4.02m
	6.60m		13.99m
	124°		15°
	230kg		1950 kg (petrol)
	1.3m x 6.9m		



SPIDER 20.95

Technology and performance that do not fear comparison.

- Ultra-light and easy to transport with trailers
- 250 kg capacity in the basket without outreach restrictions
- Excellent obstacle clearance height
- Standard configuration equipped with stabilisation and automatic re-closing device
- Versions for every need, Diesel, AC electric, with Lithium ion battery operation
- Remote Control for translation and emergency aerial controls
- Absence of pipes and cables outside the arms
- Optimal protection of all exposed parts at risk of falling objects
- Air/water and 230Vac lines available in the basket
- Proportional and adjustable speed in translation and for aerial movements
- Display with operating diagnostics on board the platform



SPIDER 22.10

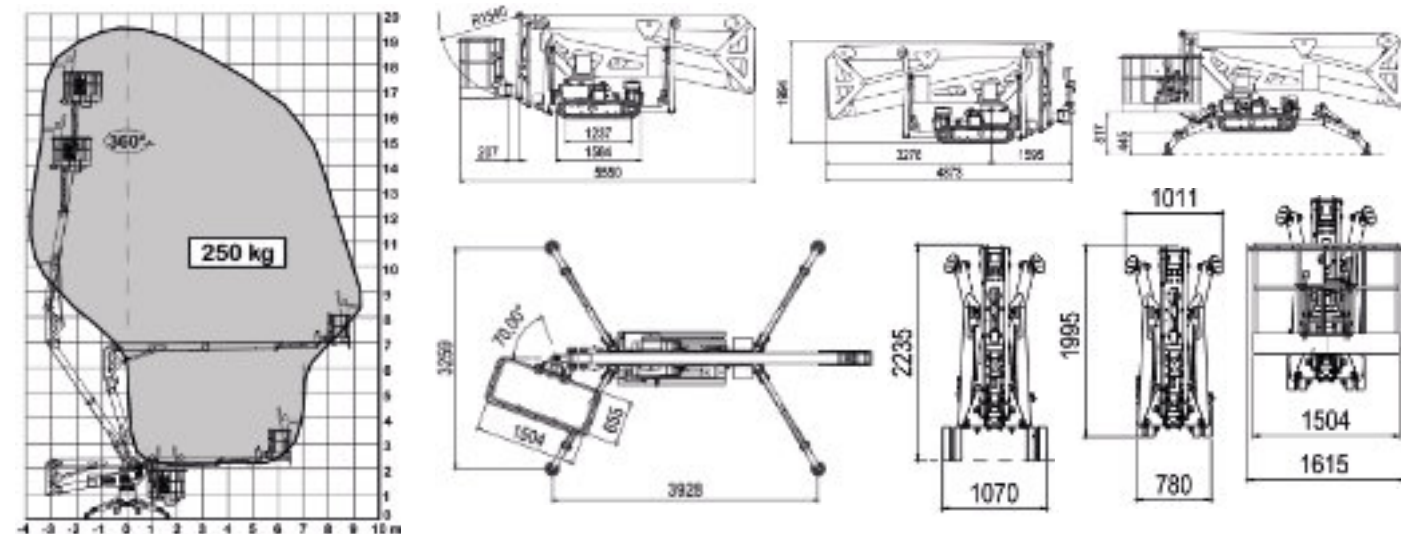
SPIDER 22.10 is diesel/lithium.

- Working height 21,70 m
- Max side outreach 10,30 m
- Lightweight and easily transportable aerial work platform.
- Articulated boom with fly Jib for greater versatility.
- Spider 22.10 has variable tracks width for extra stability while travelling; radio-controlled proportional and simultaneous controls; hydraulic cage rotation 90+90 deg; automatic outreach control system.

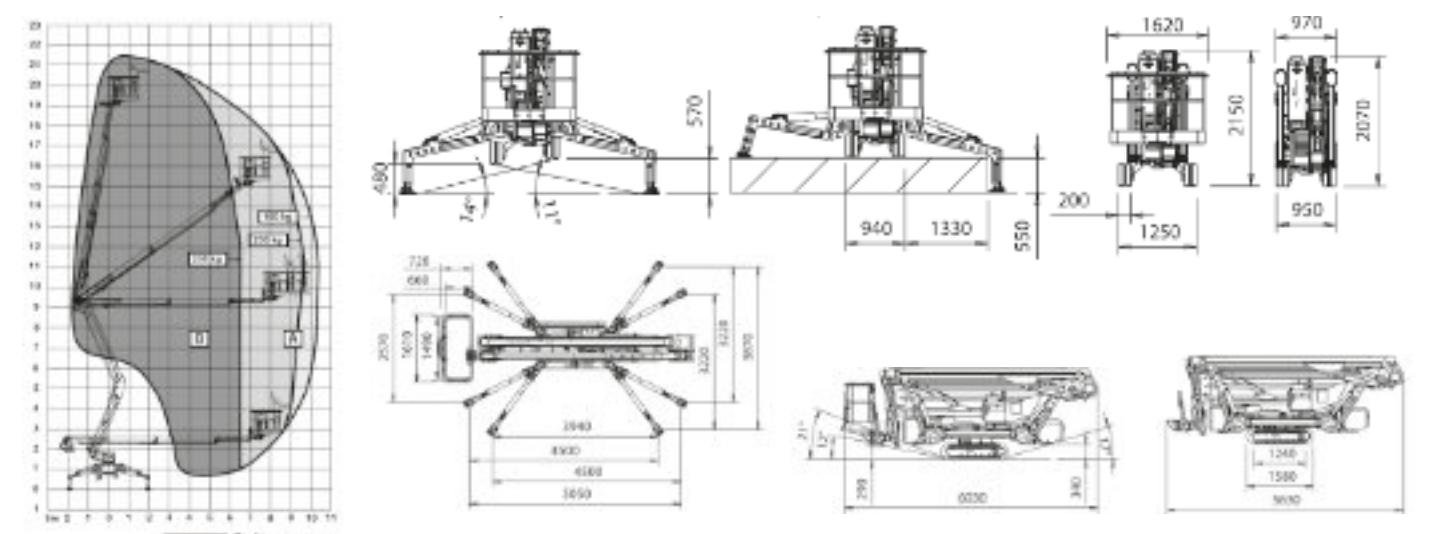


SPIDER 20.95			
	19.40m		≥ 1.99m
	17.40m		5.55m
	9.50m		0.79m
	400°		17°
	1.50 x 0.70		≥ 2700kg
	250kg		

SPIDER 22.10			
	21.70m		≥ 2.15m
	19.70m		5.97m
	10.30m		0.98m
	365°		17°
	1.50 x 0.70		≥ 2980kg
	230kg		



All measurements and weights are approximate and refer to the standard basic execution. *Outreach and height max values and repeatability can change within ±3% due to manufacturing variation and working condition.



All measurements and weights are approximate and refer to the standard basic execution. *Outreach and height max values and repeatability can change within ±3% due to manufacturing variation and working condition.

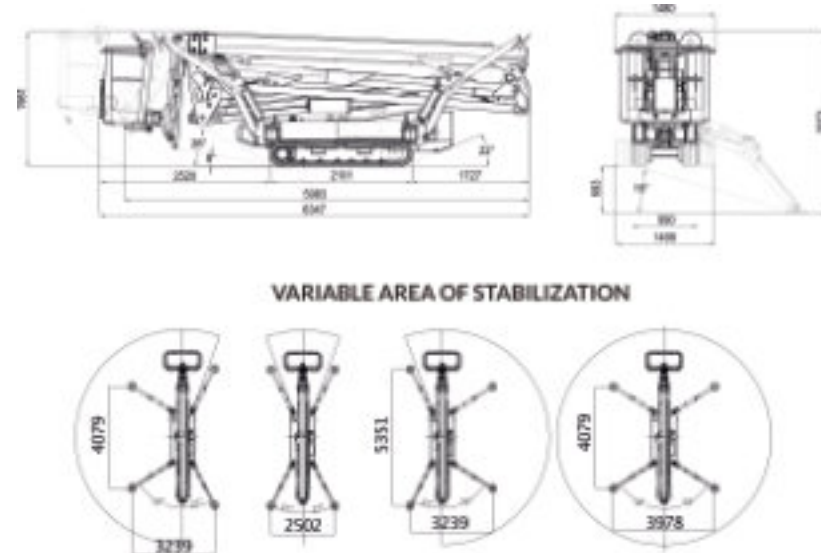
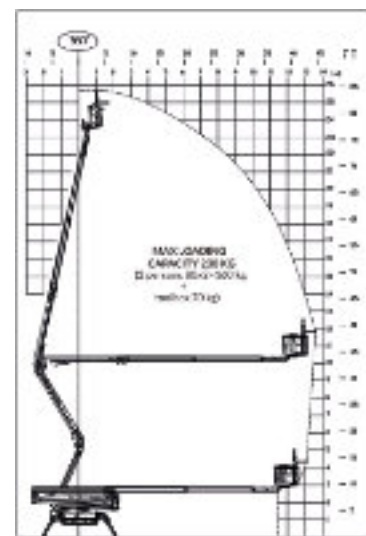
Hinowa 26.14

Exceptional performance in a compact machine with 25.70 m working height and 13.75 m outreach. Safe and high-performing, developed by the Hinowa team over the years, it has now been further enhanced thanks to the possibility to work in a reduced stabilisation area, an absolutely new characteristic that opens to new possibilities and new fields of application for one of the most technologically advanced machines.

- New possibility to work in a reduced stabilisation area, reaching a height of 25.70 m
- New "Go Home" function, allowing automatic and safe closure and alignment of the telescopic boom, making it possible to bring the machine back into the transport position with a single button
- Maximum safety and stability, in addition to fluid movement and precision thanks to the Performance hydraulic system
- Anti-entrapment system (safety device and additional protection for the basket operator)
- Innovative transport basket with new remote control holder in composite material and set of wheels for transportation when dismantled
- Easy manoeuvring thanks to the compact size (less than 2 metres tall when in transit).



Hinowa 26.14			
	25.7m		2.67m
	23.7m		6.34m
	13.75m		3.97m
	90°		16°
	1.3m x 0.69m		4365kg
	230kg		



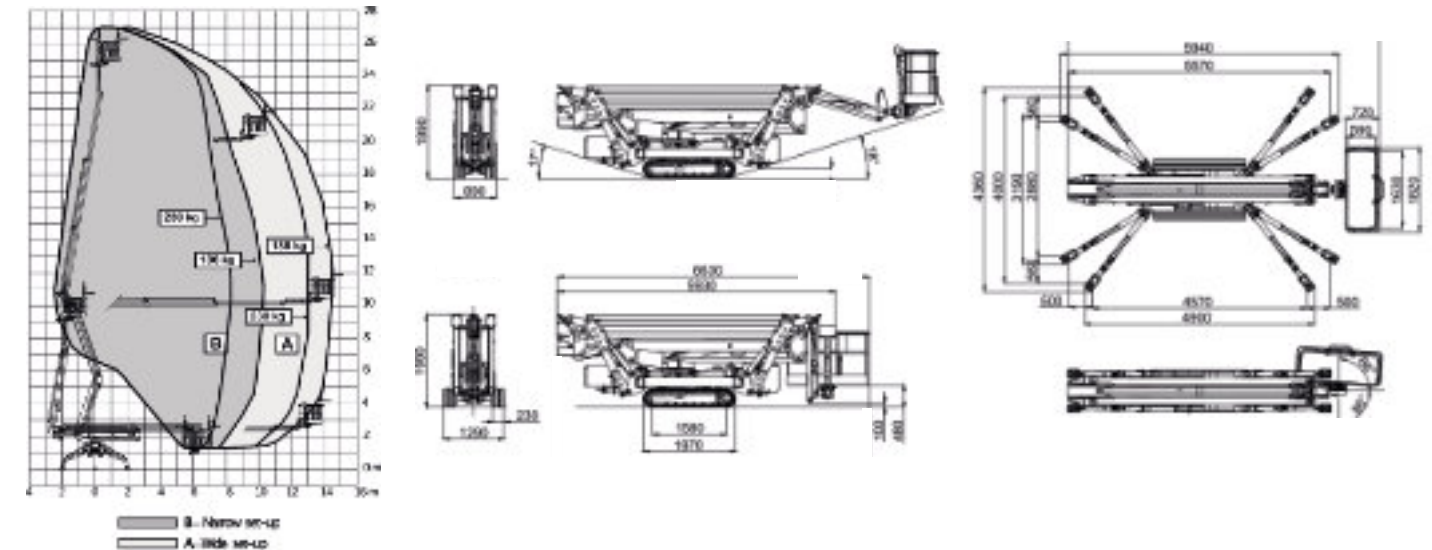
SPIDER 27.14

The Spider 27.14 is an articulated tracked lift equipped with double scissor mechanism, with 10-metre up-and-over clearance. Weighing just 5000 kg, the Platform Basket Spider 27.14 can reach a working height of 27 metres. With one operator working in the basket (136 kg), the Spider 27.14 has an outreach of up to 14.4 metres; with 230 kg in the basket, the maximum outreach is 12.7 metres. In addition, it can be ordered with interchangeable winch, offered as an option, to safely lift loads of up to 250 kg.

- Only 88 cm (35") wide to drive through a single door
- Auto-stabilisation and auto-stow
- Quick movements, even in multifunction
- Double scissor mechanism offers excellent clearance for travel over obstacles
- Simple maintenance
- Simple and intuitive on-board fittings
- In-basket air, water and 220 V power outlets
- No externally-mounted hoses
- Available in HYBRID version with lithium-ion batteries
- Fully protected with impact resistant metal covers
- Option of lifting winch interchangeable with the basket



SPIDER 27.14			
	27.14m		1.99m
	25.14m		5.93m
	15.11m		3.2m – 4.36m
	360°		770mm
	1.8m x 0.80m		5000kg
	230kg (winch is 250kg)		



LEO 30T Plus

Chassis

- Powerful track drive with hydraulic braking system
- Precise manoeuvring via sensitive remote control
- White, non-marking rubber tracks with specially arranged profile for optimal grip
- Hydraulically height- and width-adjustable crawler track drive

Stabilisation

- Electrohydraulic stabilisation with automatic levelling and ground pressure sensor system
- Variable outrigger system with one side or both sides narrow setup option n Outrigger pads, steel

Boom System

- Boom system made of steel/aluminium boom tubes
- All functions available via radio remote control
- Stepless, electrical proportional control system with intuitive operation
- Robust, lockable control panel

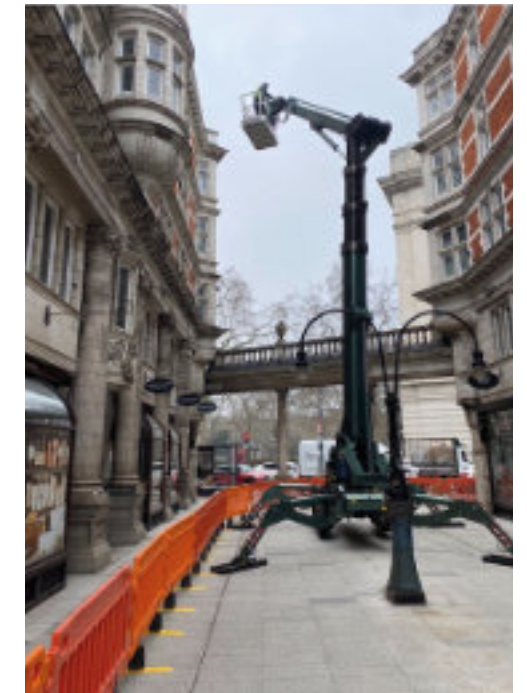
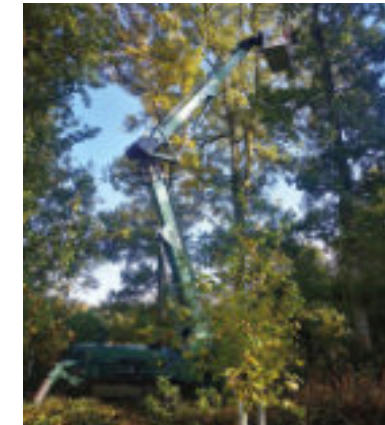
- Parallel guided platform with electro hydraulic levelling
 - 180° platform rotation for additional flexibility
 - Turntable rotation via high-performance slewing ring and hydraulic motor
 - Platform changing system
 - Coming home and memory function - can be stored for any point on the work diagram and the point can be accessed once more at the touch of a button
 - Radio control with display, two-line
 - Height cut-off for boom system, 2 set points n Horizontal outreach, selectable
 - Platform capacity, selectable (300 kg / 400 kg)
- Power Source**
- Electric motor (230 V, 12,9 A, 2,2 kW)
 - Diesel engine Kubota D902 (16,1 kW / 21,6 hp)
 - Start-stop device for combustion engine via radio control



SPIDER 33.15

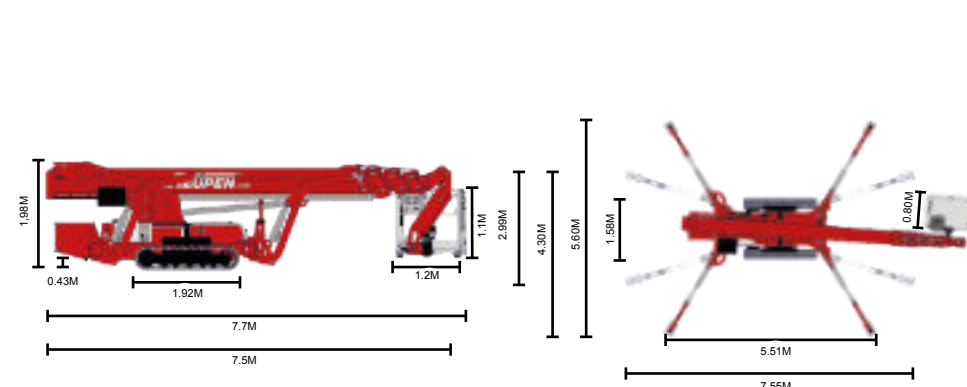
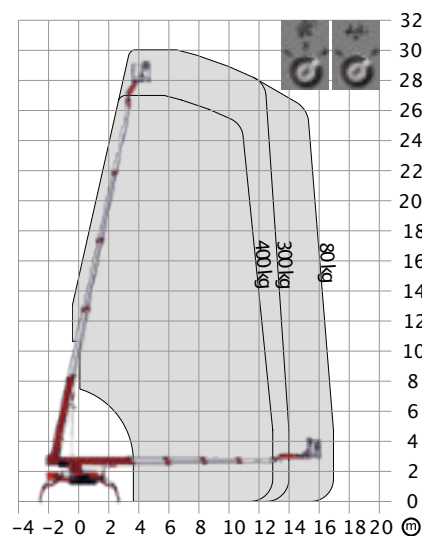
33.15 is standard diesel/electric; Spider 33.15 ED is the hybrid version of Spider 33.15.

- Articulated with telescopic booms with the best up and over height. The working envelope makes it a unique performer.
- Extra compact design to increase the mobility in confined spaces. Minimum width with basket rotated in its folded position.
- Expandable undercarriage using the exclusive Platform Basket design, enabling a better spider mobility when wide and reduced machine height when narrow.

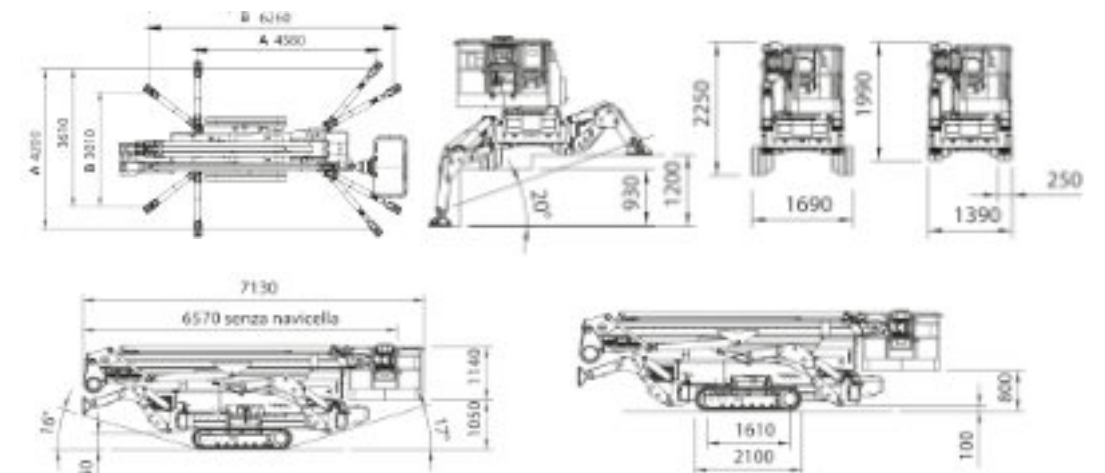
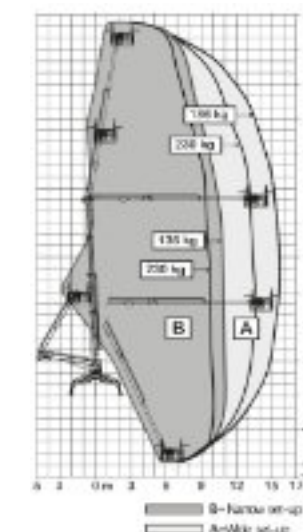


LEO 30T Plus			
	30.0m		≥ 1.58m
	28.0m		7.2m
	15.70m		0.8m
	450°		16.7°
	1.10m x 1.20m		≥ 4300kg
	400kg		

SPIDER 33.15			
	32.40m		≥ 1.39m
	30.40m		7.13m
	15.60m		1.39m
	400°		17°
	1.63 x 0.87		≥ 6800kg
	300kg		



All measurements and weights are approximate and refer to the standard basic execution. *Outreach and height max values and repeatability can change within ±3% due to manufacturing variation and working condition.



All measurements and weights are approximate and refer to the standard basic execution. *Outreach and height max values and repeatability can change within ±3% due to manufacturing variation and working condition.

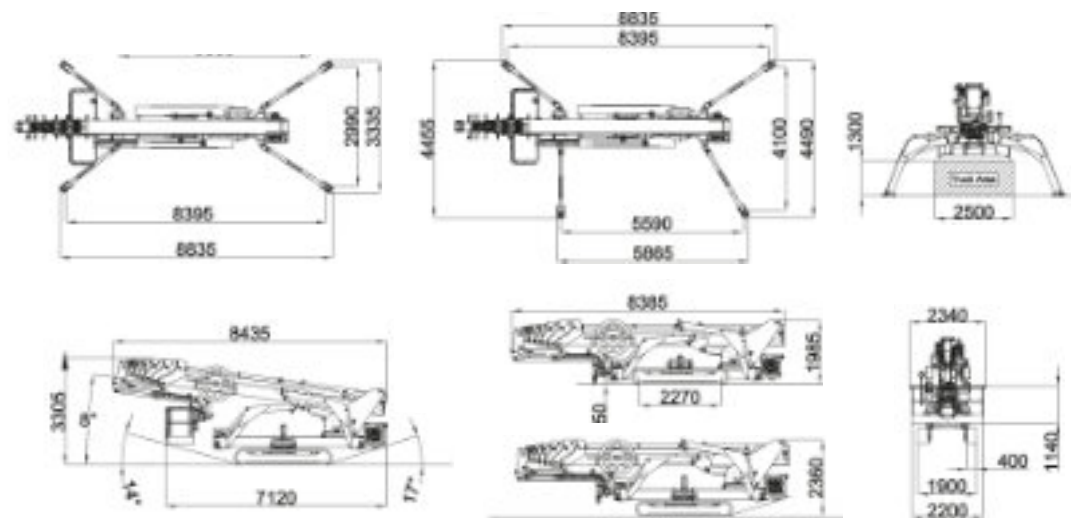
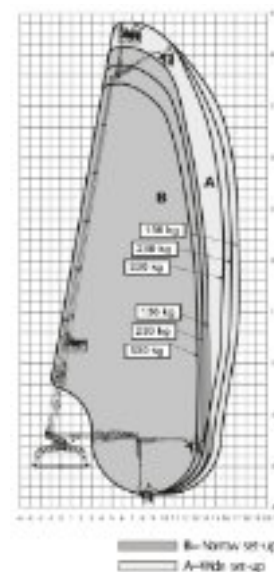
SPIDER 43 T

43T is diesel/lithium - Stability at high altitude.

- Automatic stabilisation and automatic storage device
- Bi energy Diesel + Lithium Ion batteries available on demand
- Radio remote control, with a selector fast/slow for the drive
- Easy maintenance
- Simple and intuitive on-board equipment
- Diagnostics with display installed on board
- Reduced overall dimensions
- Double telescopic articulated boom for an increased velocity while working at height



SPIDER 43 T			
	43.18m		≥ 1.99m
	41.15m		8.46m
	17.33m		1.41m
	360°		17°
	2.34 x 0.87		≥ 12430kg
	330kg		



All measurements and weights are approximate and refer to the standard basic execution. *Outreach and height max values and repeatability can change within ±3% due to manufacturing variation and working condition.

ACCESSORIES

Clear View Access provide a comprehensive range of precision engineered, safe accessories designed to complement your access lift perfectly. These accessories have excellent applications across a sector of industries including; Telecoms, Glazing, Media Works, Facilities Management and Cleaning.

Lift-Up-System

Fast and easy lifting of material

The new "Lift-Up-System" is practical, safe, and efficient. Whether you are installing glass window panes, signs or advertising displays, with the new "Lift-Up-System" integrated into the working basket, heavy or bulky items can be lifted safely to the desired position. The unique design of our "Lift-Up-System" permits loads to be picked up right at ground level.

The maximum load capacity of the "Lift-Up-System" is a generous 400 kg. Particularly advantageous: Our "Lift-Up-System" does not need to be transported separately and no awkward on-site assembly is required. Furthermore, there are no stumbling hazards in the work basket.



Air and Water Connectors

in the Work Basket

Compressed air or high-pressure cleaning equipment can be conveniently attached to the air and water connectors in the work basket. The hose is safely integrated into the boom system. Dragging long and heavy hoses to the job site is now a thing of the past.



LED Lighting

As darkness falls, the lights go on!

Proper lighting maximises overall safety at the jobsite. With this extremely important equipment, visibility is enhanced significantly. 4 LED flood lights have been mounted under the platform. They illuminate the area behind the 2 front outriggers and area in front of the 2 rear outriggers. The lights are operated via two rocker switches located inside the cab. Each has an indicator light and is marked with a headlamp symbol. One rocker switch controls the side of the vehicle (left or right) to be illuminated.



Mechanical Winch

Fast and easy lifting of material

Using the material winch is a fast and efficient way to lift heavy/bulky items without having to lower the work platform. With a lift capacity of up to 300 kg and lifting speed of approx. 6 to 10 m per minute, a great variety of objects can be conveniently lifted to the desired location. Because of its swivelling and retractable features, the material winch can be used on many different types of assignments.



Camera Bracket

Simple and practical

The practical camera bracket facilitates steady and smooth filming from high up. The brackets can accommodate cameras that weigh up to 100 kg.





TRAFFIC MANAGEMENT

Clear View Services Group has expanded its facilities over the past 10 years to now include traffic management as one of the key divisions to the business.

Through rapid growth of Clear View Access, key relationships have formed that have enabled and requested an in-house traffic management service to compliment their already established Truck and Tracked provision. Supporting a range of industries, you can be assured Clear View Traffic Management will be underpinned by the strong work ethic demonstrated across the business. Delivering excellence in service both on site and behind the scenes, with health & safety and customer satisfaction paramount to everything we do.

Traffic Management Services include:

- Road and Lane Closures
- Contraflow Systems
- Advanced Warning Signage/ Information
- Traffic Diversions
- Stop/Go
- Temporary Signals
- Pedestrian Crossing Systems
- Pedestrian management
- CAD Drawings
- All Council Liaisons



Road Closure

For safety of the teams working and road users, if 3.2m of a highway cannot be left safely open then the road may need to be closed. Whilst this is a standard type of installation for our traffic management operatives it is a lengthy process with the local authority and typically requires a temporary traffic order to be approved. Sites that typically need a closure involve cranes or truck mounted access- something we are specialist in and therefore you can have comfort knowing the safest scheme has been chosen for your task.



Traffic Lights & Priority Systems

2, 3 and 4 way lighting systems are an excellent way of keeping traffic flowing whilst teams continue to work safely in their designated area, similarly a stop/go could be implemented. Frequently seen when telecommunications work on Street works masts or when utilities are being installed.



Pedestrian Management

Safety of all road users and workers is paramount when installing any traffic management scheme and it is important to not overlook foot traffic. Pedestrians need to be accommodated if footpaths are closed or obstructed. Clear View Traffic Management work with local authorities to ensure pedestrians are safely diverted around the planned works - with careful consideration to location so temporary dropped kerbs and ramps can be installed for those with disabilities and pedestrian marshals to support the public. We can also provide our in-house plastic terraplas boards to create a walkway which can provide a safe footway over grassed areas etc.



TRAFFIC MANAGEMENT



Behind the Scenes

Traffic Management Plan/Council

Implementing any traffic management scheme means behind the scenes work with local authorities before any physical installations can begin. Each council works differently in how and when they will issue permits and authorisations for work, it is also the council who agree the proposed plans of work. Our years of experience allows us to have built a catalogue of council contacts which aids a smooth process when scheduling in works and having some flexibility at scheduling emergency works. Traffic Management Plans are an essential part of any scheme and a prerequisite of all councils - these drawings show the plan of what Traffic Management will be used and indicate where any crane/MEWP/van would be positioned. Clear View will complete all back office tasks so the client knows their project is in safe hands.



Street Works Notice Management Solutions

Managed Electronic notices on your behalf via Symology. Symology develops and supplies the most advanced range of integrated solutions for the management of infrastructure assets, including highways, land and property, bridges and structures, public lighting, and distribution networks.

Clear View Traffic Management have an in-house Symology team that manages the process from start to finish to ensure the notice is always up to date to avoid fines from the council.



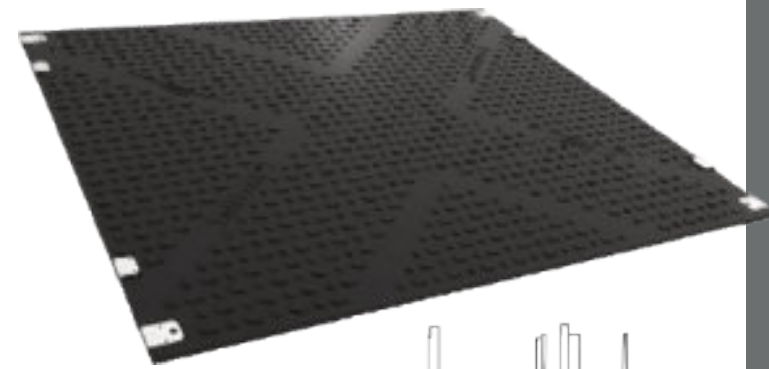
ROADWAY PANELS

A Temporary and Portable Heavy Duty Roadway Panel, designed to provide Access and Ground Protection for extremely heavy plant and machinery, used in a wide variety of applications and key industries.

ROADWAY PANELS

A Temporary and Portable Heavy Duty Roadway Panel, designed to provide Access and Ground Protection for extremely heavy plant and machinery, used in a wide variety of applications and key industries.

With safety in mind, our Heavy Duty Roadway Panels incorporate a dual grip design, featuring a high profile traction surface for vehicles on one side, and a unique non-slip traction surface for increased grip for pedestrians and contractors.



A variety of Steel Fabricated Stillages are available

Specifications	
Size:	3m [L] x 2.5m [W] x 40mm [D]
Weight	295Kg
Load	Suggested 100 tonnes, weight tested up to 160 tonnes (depending on ground conditions)
Material	100% Recycled Ultra High Modular Weight Polyethylene (UHMWP) & 100% recyclable
Colour	Black. Other colours available (subject to minimum order quantities)



Key Features

- High profile traction surface for vehicles, underside low profile non-slip surface for pedestrians.
- Fast, effective and simple connection system
- Ability to support extremely heavy loads in a wide variety of weather conditions
- Avoids health and safety issues and is non-conductive
- Avoids property, heritage and environmental damage
- Avoids vehicles from becoming bogged down, saving valuable time and money
- Various connection options

Budget Options

Perhaps you don't have the budget to purchase outright, we always have a variety of solutions for you.

- Hire for short or long term
- Buyback
- Lease or Finance

Top Tip

We can apply reflective markings for safety in low visibility or night conditions as an option.

As an alternative option, please take a look at our Hardwood Timber Bog Mats or Steel Road Plates.

MEGAMAT HEAVY DUTY



How are they connected?

We offer a variety of connection methods to suit varying ground conditions and applications.

The simplest way to install the mats is to place them onto the ground where required and secure into place using the suitable metal strap connectors.



Installation timings

Specialist lifting equipment such as Hiab or heavy duty forklift is required, as well as mechanical fixing to install the mats.

Specialist lifting equipment is required

Single line connection in 5 mins

Grid connection in less than 15 mins

300m² area in approx. 2 hours (depending on ground conditions and site layout)

5 MPH When driving on the mats, do not exceed 5mph



We advise not to use Steel Tracked vehicles with any composite mats unless pre-authorized and agreed beforehand. Traversing and aggressive movement on the mats may cause damage to them and the connectors, and this will be the sole responsibility of the customer and user of the mats.



Eco-friendly and long lasting
Made from 100% Recycled Ultra High Modular Weight Polyethylene (UHMWP) which is also 100% recyclable



CONTRACT LIFTING

We treat each project as a new challenge and have often succeeded where others have tried and failed. Every job will be physically surveyed by a selected AP who will take ownership of the job / project and then go on to create a bespoke lift plan and supporting Safe System of Works. The designated AP will oversee the project from enquiry to completion to ensure the best possible service throughout.

The Fleet consists of all terrain cranes from 25t to 500t, Lorry mounted Cranes (Hi-Ab) rigid and articulated, Spider cranes, Tower and Crawler Cranes.

The Fleet consists of all terrain cranes from 25t to 500t, Lorry mounted Cranes (Hi-Ab) rigid and articulated, Spider cranes, Tower and Crawler Cranes.

Our Contract Lifting services include;

- Dedicated appointed person (AP) for every project
- Physical site survey to determine the selection of lifting equipment / machinery required
- Qualified and Experienced Operatives
- Creation of Safe System of Work; Lift Plan, RAMS, Certification and Insurance
- Detailed CAD plans
- CPCS Crane Supervisor (CS) who will take control of the lifting operation on site following instruction from the lift plan created by the AP.
- CPCS Slinger/ Signaller who controls the movement of the crane / lifting equipment on and off site.

Some examples of the services we offer:

- Collection of equipment from distributors
- Equipment transport and storage
- New equipment installations

No job is out of our reach!



CONTRACT LIFTING

Our Specialist Contract Lift Division is operated by our experienced, fully trained and licensed operatives. Our Contract lifting team is ran by a dedicated hire desk who are fully trained and experienced CPCS appointed persons, they will advise the safest and most cost effective options for your lifting project.



0845 838 6755 www.clearviewaccess.net
hiredesk@clearviewservicesgroup.co.uk

Units 4&5 • Kingsmark Court • Intercity Way • Leeds • LS13 4PN